

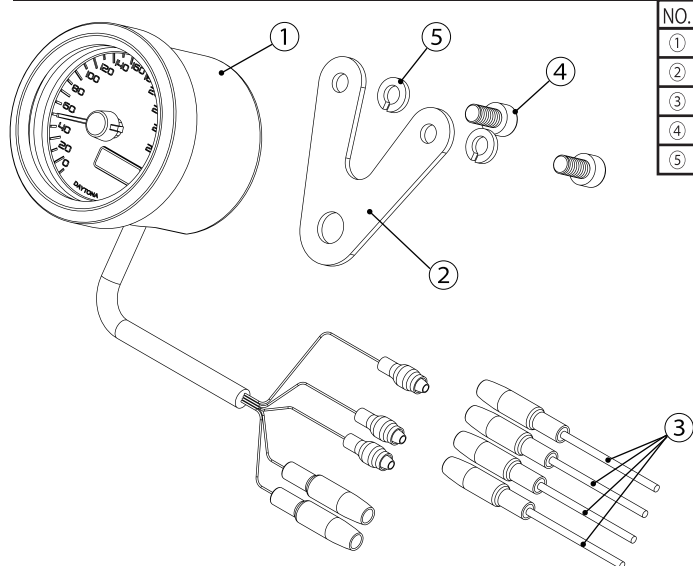
**CAUTION**

- Read all instructions before use.
- Needs to purchase the optional speed sensor if the vehicle does not come with an electrical speed sensor
- This product is NOT water-proof, but water-resistant. Internal condensation may be found due to a sudden and rapid change of ambient temperature.
- Be sure that VELONA gauges display the right speed before use on public road.
- Disconnect the ground wire from the negative post of vehicle's battery before installation.
- For motorcycles that do not generate electrical speed pulse, use the optional speed sensor(sold separately). Or use a convertor(sold separately) that turns mechanical movement to electrical pulse, if the vehicle comes with a mechanical speedometer cable.
- Designed for a 12 volt system. VELONA gauges does NOT work with a 6 volt system or a battery-less system.
- DO NOT use the positive ground.
- Use VELONA gauges for the intended purpose of use.
- Do NOT disassemble VELONA gauges. It may be damaged and water may come in
- Do NOT leave VELONA gauges under the sunlight when not used.
- Avoid contact with gasoline, brake fluid or other chemicals. It may be damaged.
- Do NOT hit, drop or give a shock on VELONA gauges. It may be damaged due to a precision part
- Rubber mounting is recommended for vehicles with much vibration.
- After installation, check to see if all the parts are correctly installed, and to see if all the screws are properly tightened.
- Periodical inspection of the installed parts is required every 500km(300mile). If anything unusual may be found while driving, stop at a safe place to check.

**PRODUCT FEATURES**

- Stepping motor-driven speedometer
- Speed unit (km/h or MPH) selectable
- Odometer (Not Resettable), Range : 0.0-99999.9 km/mile
- Trip Odometer 1 (Resettable), Range : 0.0-99999.9 km/mile
- Trip Odometer 2 (Resettable), Range : 0.0-99999.9 km/mile
- Voltmeter, Range : 0-18.0V
- Maximum speed memory and recall
- Display LED color selectable from 3 color (White / Blue / Orange)

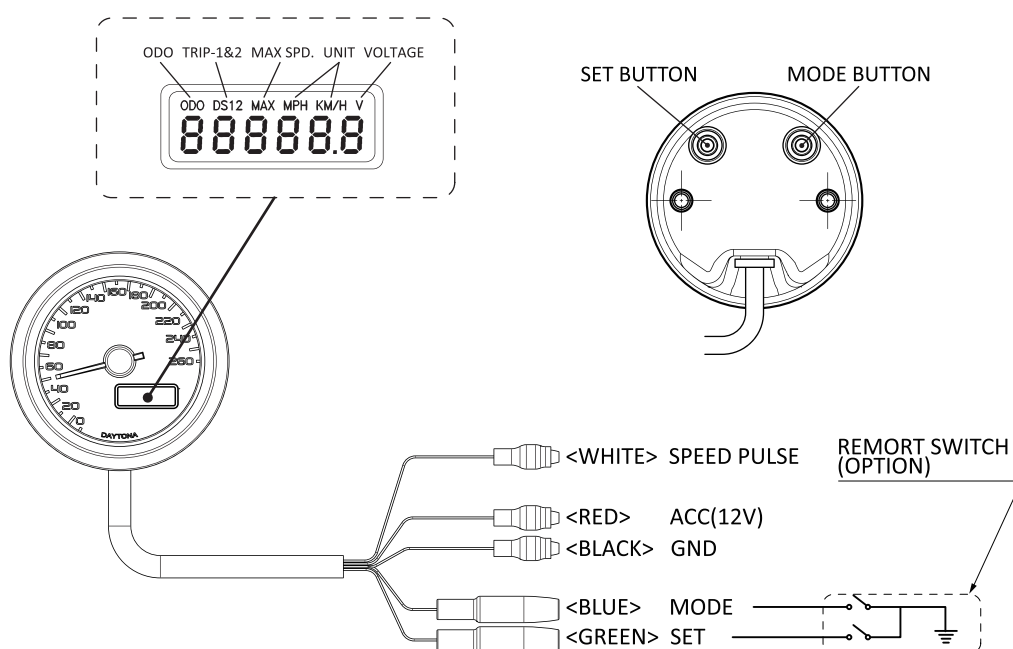
**COMPONENTS**



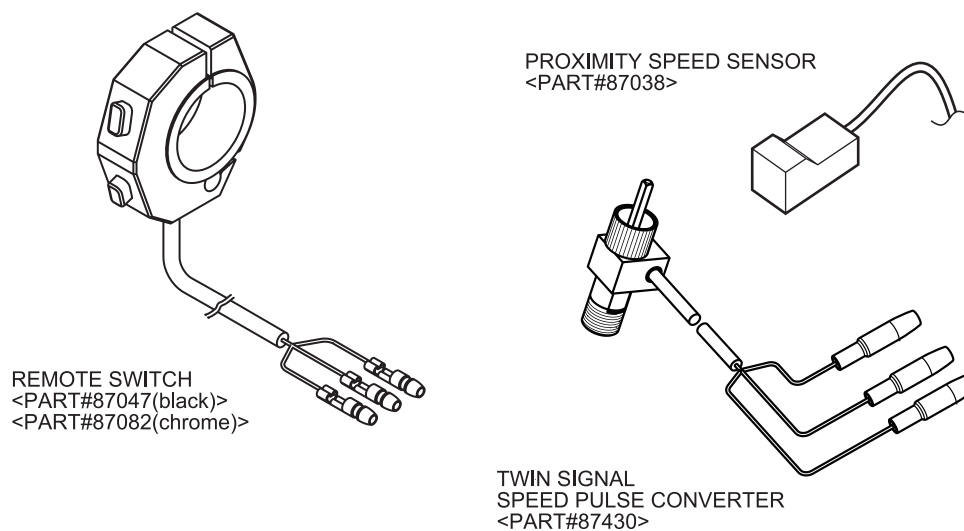
NO.	DESCRIPTION	REMARKS	QTY
①	Gauge Unit		1
②	V-Bracket		1
③	Extension Wire Set		1
④	Cap screw	M5 x 10	2
⑤	Spring washer	M5	2

**INSTALLATION**

- The Red wire is to be connected to the wire that gives current when the main switch is turned on
- The White wire is to be connected to the wire from the speed sensor.
- Disconnect the ground wire from the negative post of vehicle's battery before installation.

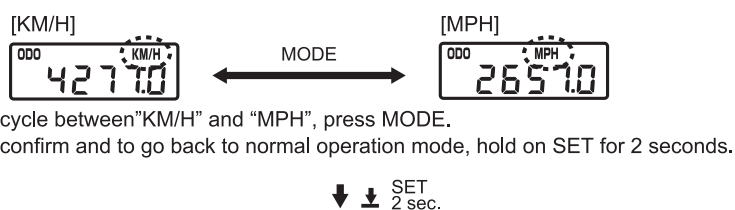


**OPTIONAL PARTS**

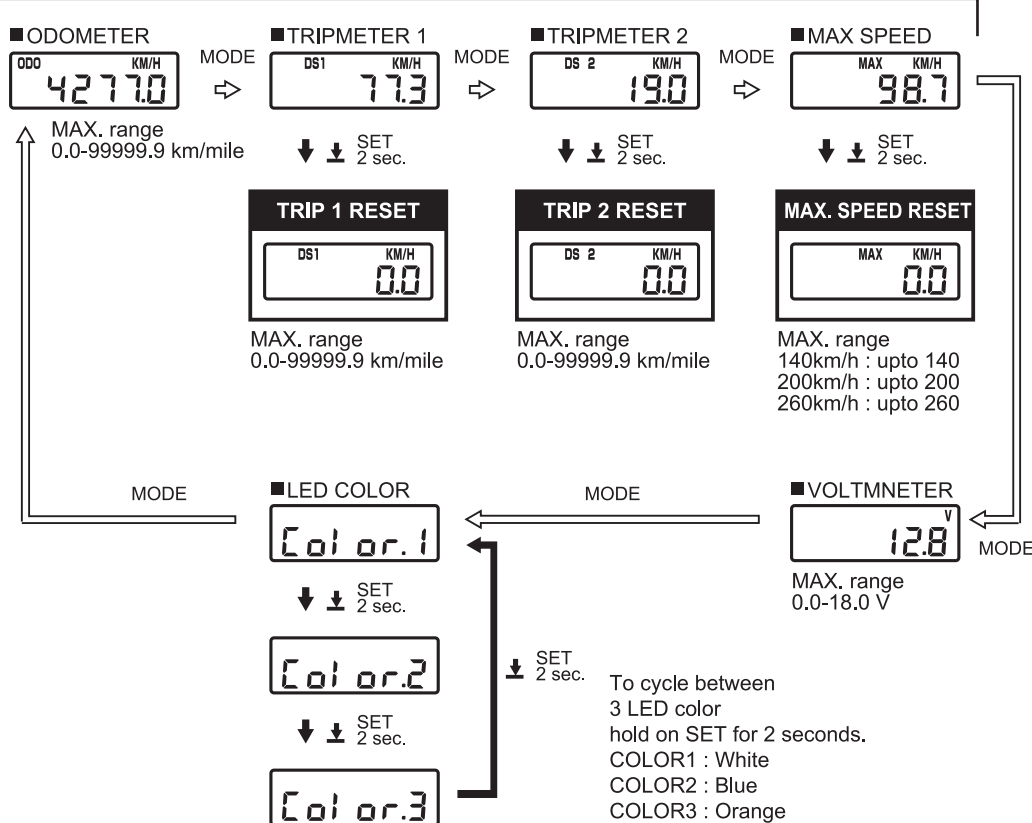


**NORMAL OPERATION MODE**

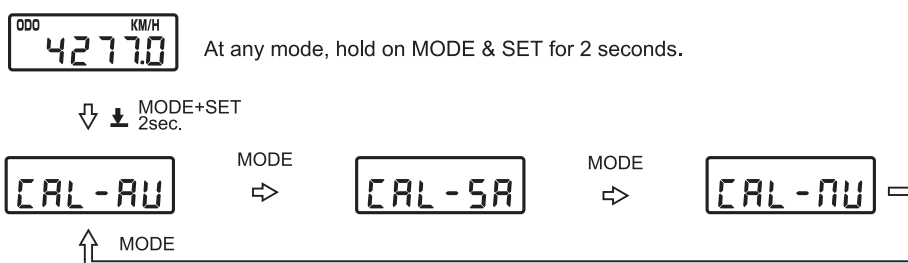
- Unit setup (KM/H or MPH)



↑ ↓ MODE 2 sec.



**SPEED CALIBRATION**



**AUTO CALIBRATION MODE**

↓ ↓ SET 2 sec.

90

When ready to drive, press MODE.

↓ ↓ MODE

0

Drive exactly one km/mile.

1km(mile)

Stop and press MODE to complete the adjustment.

↓ ↓ MODE

18133

To go back to normal operating mode, hold on SET for 2 seconds.

↓ ↓ SET 2 sec.

**SPEED ADJUST MODE**

↓ ↓ SET 2 sec.

90

Following the vehicle running at constant speed of 40km/h(MPH)

40km/h(MPH)

Press MODE at 40km/h(MPH) to complete the speed adjustment.

↓ ↓ MODE

VELONA gauges will start indicating the current speed after a while.

The display will automatically go back to normal operating mode.

**MANUAL ADJUST MODE**

↓ ↓ SET 2 sec.

00000

↓ ↓ MODE

00000

Flashing digit is changeable. To modify the number, press SET

↓ ↓ SET

00000

To fix and go to next digit, press MODE

↓ ↓ MODE

18133

To go back to normal operation mode, hold on SET for 2 seconds.

↓ ↓ SET 2 sec.